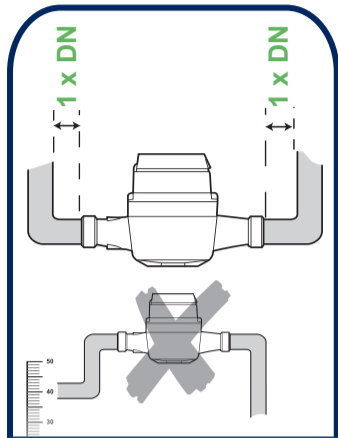
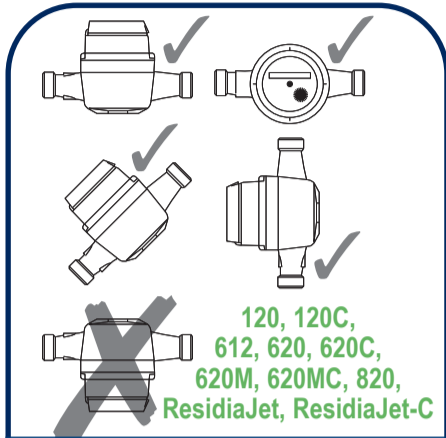


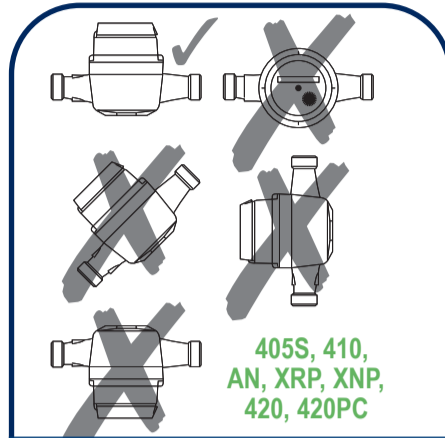
1



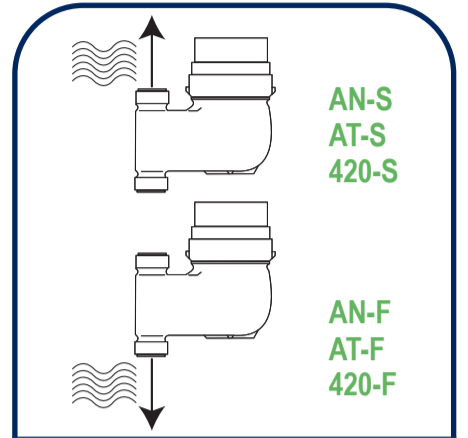
2



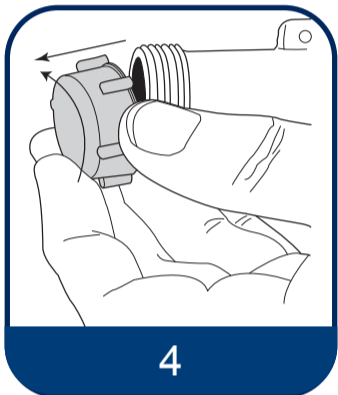
3a



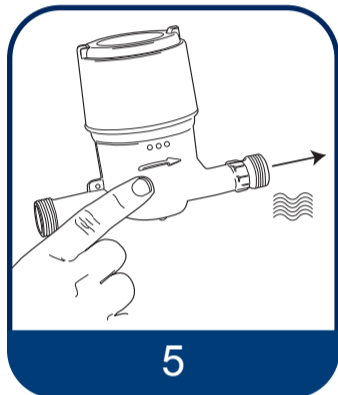
3b



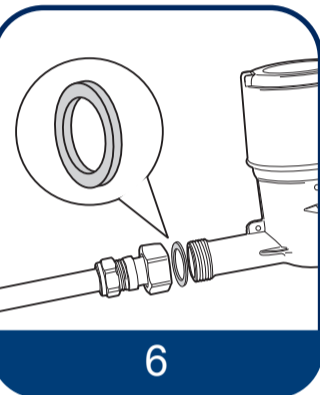
3c



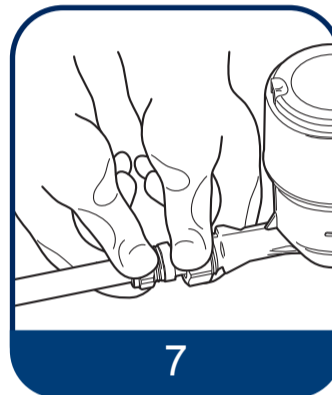
4



5



6



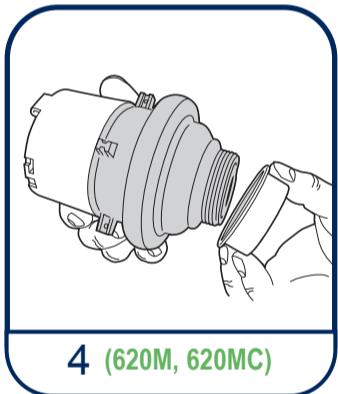
7



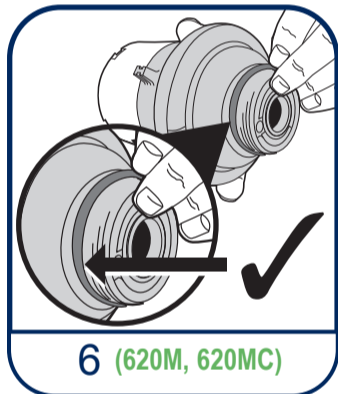
8



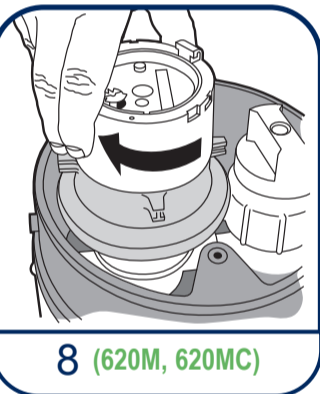
9



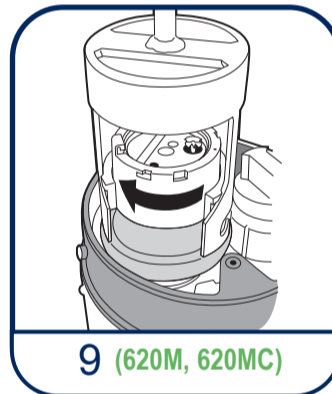
4 (620M, 620MC)



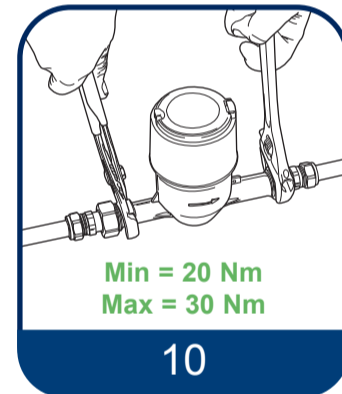
6 (620M, 620MC)



8 (620M, 620MC)



9 (620M, 620MC)



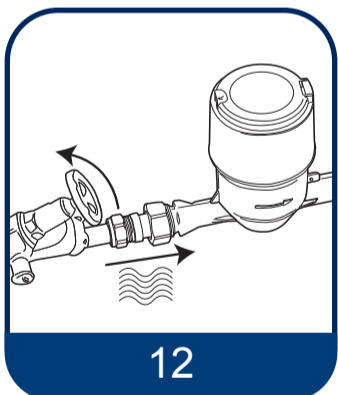
Min = 20 Nm
Max = 30 Nm

10

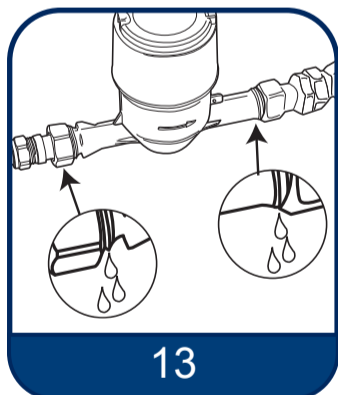


120, 120C, 405S, 612,
620, 620M, 620MC

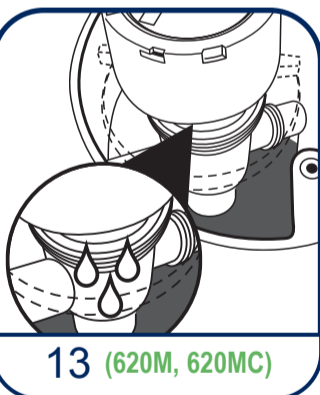
11



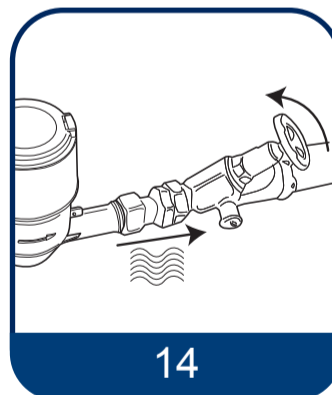
12



13



13 (620M, 620MC)



14



15

