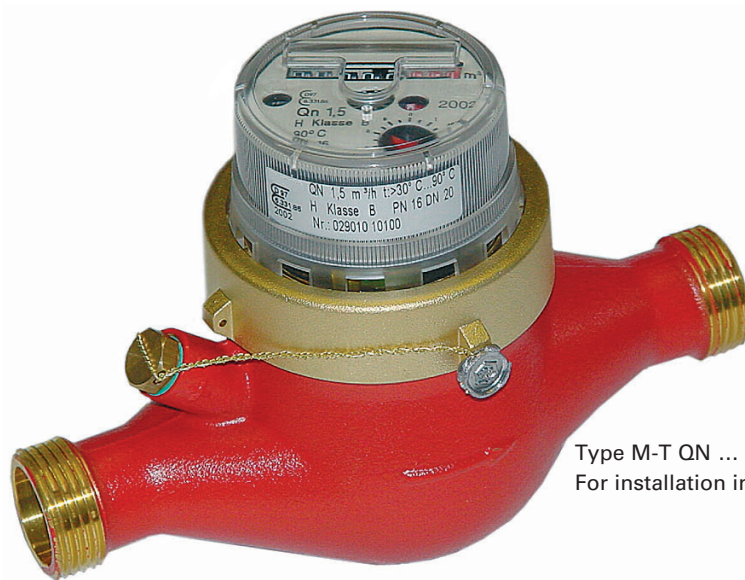


# AN 90°C AN-S AN-F

Multijet Inferential Domestic  
water meter  
for hot water up to 90 °C  
Operating pressure PN 16



Type M-T QN ... AN 90 ...  
For installation in horizontal pipes

## Main characteristics

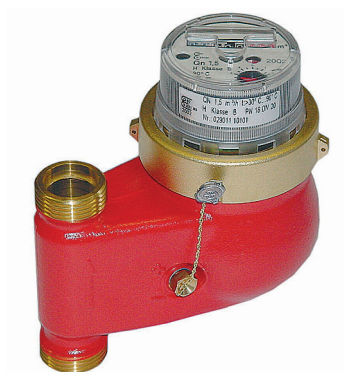
Hot water meter with EEC pattern approvals  
Qn 1,5 – Qn 10 up to 90 °C  
Metrological Class B (horizontal)

Dry-dial with magnetic coupling

Measuring element is made of high quality plastics  
for corrosion and temperature resistance, and  
ensures excellent measuring accuracy

Secure sealing by using o-rings on both the  
measuring element and meter head ring

8 digit roller including 3 decimals, 1 pointer and  
star wheel

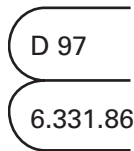


Type AN-S 90 ...  
For installation in vertical pipes  
with upward flow



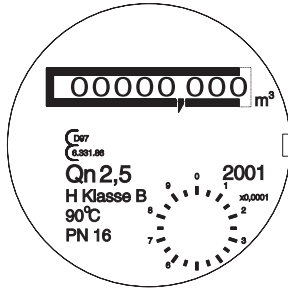
Type AN-F 90 ...  
For installation in vertical pipes  
with downward flow

## Pattern Approvals

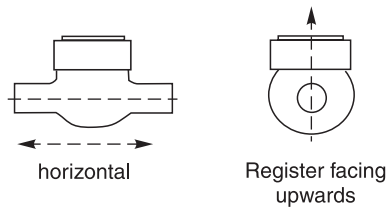


Size  $Q_n$  1.5 ... 10  
Available as  
Metrological Class A

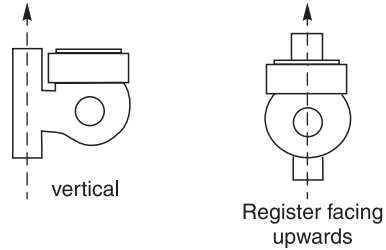
## Dial Face



## Installation



Horizontal version



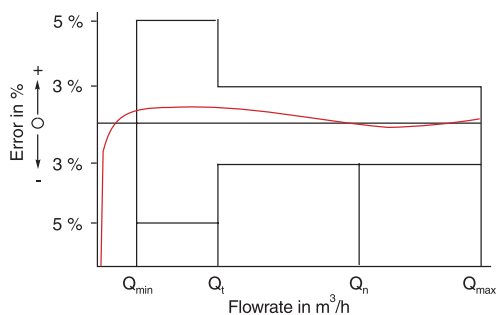
Vertical pipe version

## Technical Specifications

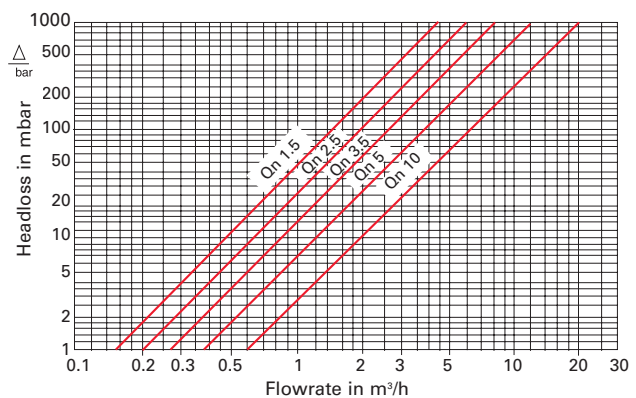
Nominal diameter	$Q_n$		1.5	2.5	3.5	6	10
Nominal flowrate	$Q_n$	m <sup>3</sup> /h	1.5	2.5	3.5	6	10
Maximum flowrate (short duration)	$Q_{max}$	m <sup>3</sup> /h	3	5	7	12	20
Transitional flowrate	$Q_t$	l/h	120	200	280	400	800
Minimum flowrate	$Q_{min}$	l/h	30	50	70	120	200
Head loss at $Q_n$		bar	0.11	0.18	0.20	0.25	0.25
Flowrate at 1 bar head loss		m <sup>3</sup> /h	4.7	6.0	8.1	12.5	20.5
Register capacity		m <sup>3</sup>			00000.000		
Operating pressure		bar	16 (Special 25 bar version available)				
Operating temperature		°C	10 to 90				

**Accuracy limits** For flowrates between  $Q_t$  and  $Q_{max}$   $\pm 3\%$   
For flow rates below  $Q_t$  to  $Q_{min}$   $\pm 5\%$

## Typical Accuracy Curve



## Typical Head Loss Curve



## Dimensions and Weights

			Type Q <sub>n</sub> ... AN 90 R...EB for horizontal installation threaded connection					Type Q <sub>n</sub> ... AN 90 DN...EB for horizontal installation flanged connection				
Meter size	Q <sub>n</sub>	m <sup>3</sup> /h	1.5	2.5	3.5	5	10	1.5	2.5	3.5	5	10
Connection size	DN	mm	20	20	25	25	40	20	20	25	25	40
		inch	¾	¾	1	1	1 ½	-	-	-	-	-
Tailpiece connection thread <sup>1)</sup>	d	inch	R ¾	R ¾	R 1	R 1	R 1 ½	-	-	-	-	-
Meter connection thread <sup>2)</sup>	D	inch	G 1	G 1	G 1 ¼	G 1 ¼	G 2	-	-	-	-	-
Overall length	l	mm	190	190	260	260	300	190	190	260	260	300
Length with tailpieces	L	mm	288	288	378	378	438	-	-	-	-	-
Height	H	mm	155	155	170	170	190	157	157	178	179	197
Height	h	mm	36.5	36.5	46	46	63	46	46	51	51	68
Width	B	mm	97	97	103	103	140	95	95	101	101	131
Flange diameter	D1	mm	-	-	-	-	-	105	105	115	115	150
Meter weight		~ kg	2.0	2.1	2.9	2.9	5.2	3.5	3.5	4.8	4.8	8
Meter weight with tailpieces		~ kg	2.5	2.6	3.6	3.6	6.5	-	-	-	-	-

			Type Q <sub>n</sub> ... AN-S 90 R...EB for vertical installation (upward flow)					Type Q <sub>n</sub> ... AN-F 90 R...EB for vertical installation (downward flow)				
Meter size	Q <sub>n</sub>	m <sup>3</sup> /h	1.5	2.5	3.5	5	10	1.5	2.5	3.5	5	10
Connection size	DN	mm	20	20	25	25	40	20	20	25	25	40
		inch	¾	¾	1	1	1 ½	¾	¾	1	1	1 ½
Tailpiece connection thread <sup>1)</sup>	d	inch	R ¾	R ¾	R 1	R 1	R 1 ½	R ¾	R ¾	R 1	R 1	R 1 1/2
Meter connection thread <sup>2)</sup>	D	inch	G 1	G 1	G 1 ¼	G 1 ¼	G 2	G 1	G 1	G 1 ¼	G 1 ¼	G 2
Overall length	l	mm	105	105	150	150	200	105	105	150	150	200
Length with tailpieces	L	mm	203	203	268	268	338	203	203	268	268	338
Height	H	mm	155	155	170	170	190	160	160	175	175	195
Height	h	mm	19	19	33	33	30	13	13	22	22	30
Axis distance	A	mm	82	82	94	94	120	100	100	105	105	120
Width	B	mm	97	97	103	103	140	97	97	103	103	140
Meter weight		~ kg	2	2.1	3.3	3.3	5	2	2.1	3.3	3.3	5
Meter weight with tailpieces		~ kg	2.3	2.4	3.8	3.8	6.3	2.3	2.4	3.8	3.8	6.3

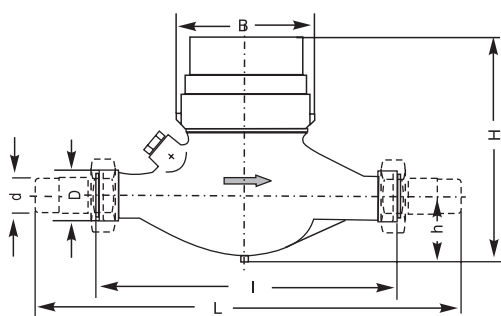
<sup>1)</sup> Whitworth tapered thread

R ½ " to R 2" according to ISO 7/1 = DIN 2999 Part 1

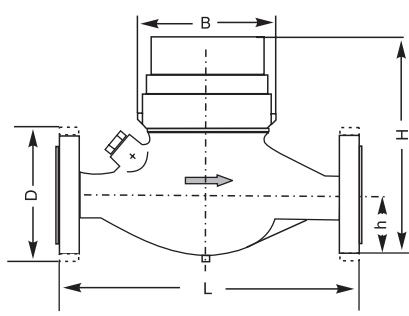
<sup>2)</sup> Pipe thread

G ¾ B to G ½ B according to DIN ISO 228/1

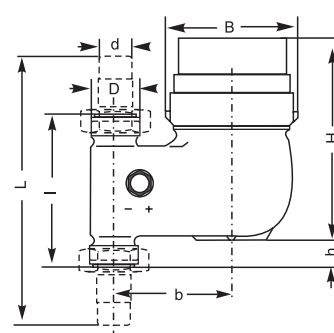
## Dimension Pictures



Horizontal threaded version



Horizontal flanged version



Vertical version

## Materials

Body	Brass
Head ring	Brass (painted)
Strainer	Plastic
Calibration screw	Plastic
O-rings	EPDM
Measuring chamber	Plastic
Bearing pin	Tungsten carbide
Fanwheel	Plastic
Fanwheel shaft	Tungsten carbide
Magnet holder	Plastic
Magnets	Permanent ceramic magnets
Sealing plate	Brass
Upper magnetic coupling	Plastic / tungsten carbide
Roller counter	Plastic
Dial glass	Plastic

## Ordering Information

Multijet AN 90° water meter Horizontal threaded version		
Product code		
Q <sub>n</sub> 1,5 AN 90 R 1/2"		EB
Q <sub>n</sub> 1,5 AN 90 R 3/4"		EB
Q <sub>n</sub> 2,5 AN 90 R 3/4"		EB
Q <sub>n</sub> 3,5 AN 90 R 1"		EB
Q <sub>n</sub> 5 AN 90 R 1"		EB
Q <sub>n</sub> 5 AN 90 R 1 1/4"		EB
Q <sub>n</sub> 10 AN 90 R 1 1/2"		EB

Multijet AN 90° water meter Horizontal flanged version		
Product code		
Q <sub>n</sub> 1,5 AN 90 R 1/2"		EB
Q <sub>n</sub> 1,5 AN 90 R 3/4"		EB
Q <sub>n</sub> 2,5 AN 90 R 3/4"		EB
Q <sub>n</sub> 3,5 AN 90 R 1"		EB
Q <sub>n</sub> 5 AN 90 R 1"		EB
Q <sub>n</sub> 5 AN 90 R 1 1/4"		EB
Q <sub>n</sub> 10 AN 90 R 1 1/2"		EB

Multijet AN-S water meter Vertical version (upward flow)		
Product code		
Q <sub>n</sub> 1,5 SAN 90 R 3/4"		EB
Q <sub>n</sub> 2,5 SAN 90 R 3/4"		EB
Q <sub>n</sub> 3,5 SAN 90 R 1"		EB
Q <sub>n</sub> 5 SAN 90 R 1"		EB
Q <sub>n</sub> 10 SAN 90 R 1 1/2"		EB

Multijet AN-F water meter Vertical Version (downward flow)		
Product code		
Q <sub>n</sub> 1,5 FAN 90 R 3/4"		EB
Q <sub>n</sub> 2,5 FAN 90 R 3/4"		EB
Q <sub>n</sub> 3,5 FAN 90 R 1"		EB
Q <sub>n</sub> 5 FAN 90 R 1"		EB
Q <sub>n</sub> 10 FAN 90 R 1 1/2"		EB



Certified according to ISO 9001  
Quality Management System OQS Reg.no. 3496/0

### UK & Ireland Enquiries

Sensus UK Systems Ltd, International House, Southampton International Business Park,  
George Curl Way, Southampton SO18 2RZ UK  
T: +44 (0) 1794 526100 F: +44 (0) 1794 526101 Email: info.gb@sensus.com [www.sensus.com](http://www.sensus.com)

### International Enquiries

Sensus GmbH Ludwigshafen, Industriestrasse 16, 67063 Ludwigshafen Germany  
T: +49 (0) 621-6904-0 F: +49 (0) 621-6904-1409 Email: info.int@sensus.com [www.sensus.com](http://www.sensus.com)