

# WPVD 150

Compound Water Meter  
for cold water up to 50 °C DN 150



## Main characteristics

Main meter with hydrodynamically balanced rotor  
Main meter with removable measuring element  
Compact spring loaded valve  
Hermetically sealed registers (IP 68)  
Powder coating ensures maximum corrosion protection  
Stainless steel screws  
For bypass meter all approved domestic water meters can be used

## Pattern Approval

6.152

Nominal Diameter DN 150

80.02

Marking  
Metrological class B  
30 °C

## Applications

Measurement of high flow rates with extremely wide spread flow profile  
Measurement of smallest flow rates for leakage detection  
Ideal for fire service pipes

## Options

Main and bypass meter with pulsers  
Overall length acc. to DIN with spool piece  
Main meter and By-pass meter can be equipped with several electronic registers


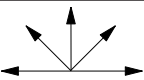


HYBRID



ENCODER

## Installation

Pipe	horizontal vertical * inclined *	
Meter head	upwards sideways *	

\* depends on type of By-pass meter

### Installation requirements

- Unrestricted straight pipe in front of the meter 3 x DN
- No requirements behind the meter

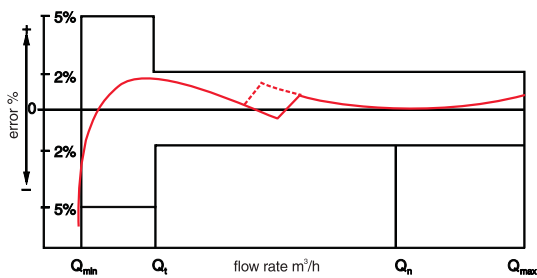
## Technical Data

Nominal Diameter	DN		150
Size of meter (EEC)	$Q_n$		150
Working pressure	PN	bar	16
Maximum peak flow (few minutes)	$Q_{max}$	$m^3/h$	600
Continuous flow	$Q_n$	$m^3/h$	400
By-pass meter	$Q_n$	$m^3/h$	10
Transitional flow $\pm 2\%$	$Q_t$	$m^3/h$	0.15
Change over with increasing flow		$m^3/h$	8.3
decreasing flow		$m^3/h$	4.7
Lower measuring limit $\pm 5\%$	$Q_{min}$	$m^3/h$	0.035

## Pulse Values

Main meter	RD 01	1 m <sup>3</sup> and 10 m <sup>3</sup>
	OD 01	0.01 m <sup>3</sup>
	OD 03	0.1 m <sup>3</sup>
By-pass meter	Reed	0.01 m <sup>3</sup> ; 0.1 m <sup>3</sup> or 1 m <sup>3</sup>

## Typical Accuracy Curve



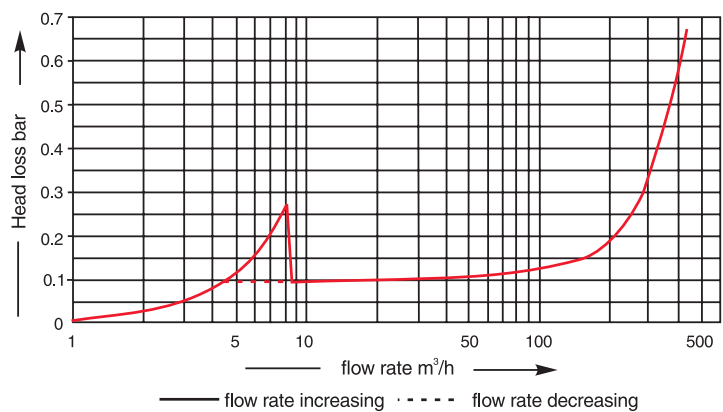
$Q_{max}$  = continuous peak flow

$Q_n$  = continuous flow

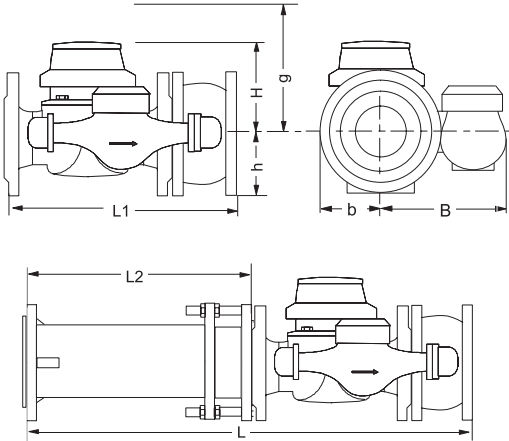
$Q_t$  = transitional flow  $\pm 2\%$

$Q_{min}$  = minimum flow  $\pm 5\%$

## Typical Head Loss Curve



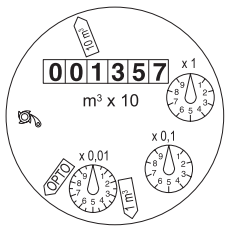
## Dimension Pictures



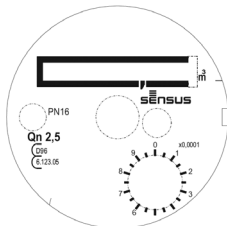
## Dimensions and Weights

<b>Nominal Diameter</b>	<b>DN</b>	<b>150</b>	
Size of meter	Q <sub>n</sub>	150	
Overall length	L1	mm	
		500	
Bypass meter	Q <sub>n</sub>	10	
Height	H	mm	
		177	
	h	mm	
		135	
Length	g	mm	
			356
	L2	mm	
		500±40	
Width	L	mm	
			1000±40
Width	B	ca. mm	
			275
Width	b	ca. mm	
			145
Weight	meter	kg	
			60
	meas. element	kg	
		5,5	
	spool piece	kg	
		32	

## Dials



Main meter



Bypass meter  
(Type 420)

## Materials

Body	Main meter	cast iron
	Bypass meter	brass
Measuring element (both meters)		plastic
Rotor (both meters)		plastic
Spring loaded valve		plastic and stainless steel

## Bypass Meters

Standard Bypass Meter  
420

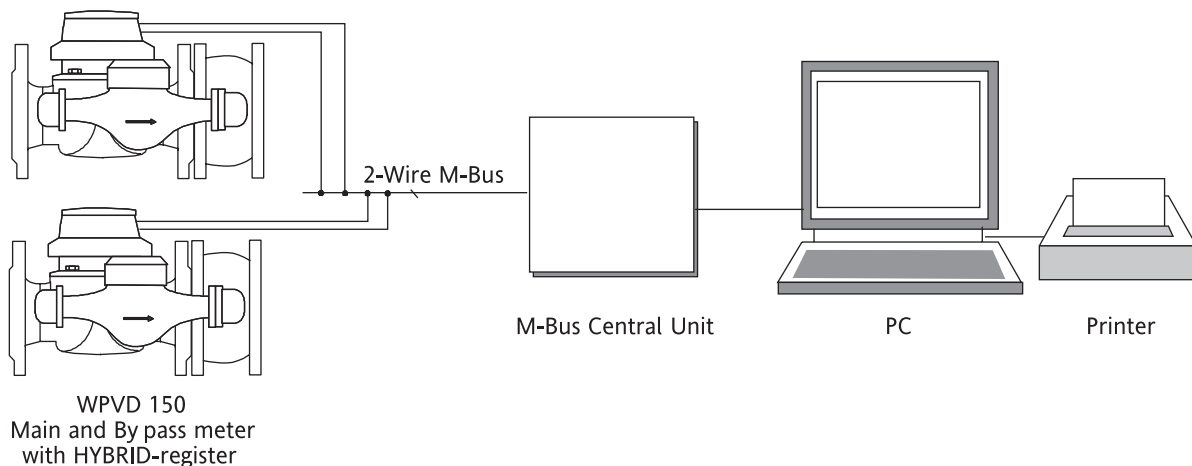


Rotary Piston Meter  
RKD QN 10



<b>Standard Bypass Meter:</b>	
Multijet Meter wet dial	Type: 420
<b>Options:</b>	
Rotary Piston Meter with Standard register with Hybrid register with Electronic register with Encoder register	Type: RKD QN 10 Standard Type: RKD QN 10 Hybrid Type: RKD QN 10 Electronic Type: RKD QN 10 Encoder

# Application example for automatic meter reading

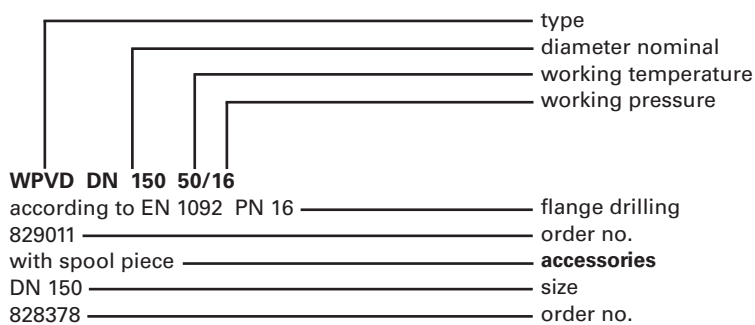


## Available Designs

<b>WPVD</b>	<b>DN</b>	<b>150</b>
Overall length	mm	500
Order no.		829011

<b>Spool Piece</b>	<b>DN</b>	<b>150</b>
Overall length	mm	500±40
Order no.		828378

## Order Example



**qualityaustria**  
Succeed with Quality

Certified according to ISO 9001  
Quality Management System Quality Austria Reg.no. 3496/0

### UK & Ireland Enquiries

Sensus UK Systems Ltd, International House, Southampton International Business Park,  
George Curl Way, Southampton SO18 2RZ UK  
T: +44 (0) 1794 526100 F: +44 (0) 1794 526101 Email: info.gb@sensus.com [www.sensus.com](http://www.sensus.com)

### International Enquiries

Sensus GmbH Hannover, Meineckestraße 10, D-30880 Laatzen Germany  
T: +49 (0) 5102 74-0 F: +49 (0) 5102 74-3341 Email: info.int@sensus.com [www.sensus.com](http://www.sensus.com)