

MA 2200

ResidiaMUK

Multi jet water meter measuring capsule
QN 1.5 40 / 90 °C with modular register
to Data Sheet LA 2200

The **ResidiaMUK** domestic water meter is made as a certified measuring capsule and depending on its designation can be used for cold water up to 30° C or hot water up to 90° C

To mount the measuring capsule, the appropriate original surface mounted or in-wall housing is required. Suitable adapters are available for the housings of other manufacturers

Fitting and Operating Instructions

Delivery specification

ResidiaMUK - measuring capsule (1 A), Profile seal (1 B),

Sealing ring (1 C),

Chrome cap with collar (1 D).

N.B.: Replacement measuring capsules do not come with chrome cap and collar

Contents of these instructions

These instructions describe the fitting and commissioning of the ResidiaMUK measuring capsules on original SENSUS housings (in this case an in-wall housing) and their operation. The presence of a properly installed original SENSUS (SPX) in-wall housing (2) is assumed.

For fitting the different housings or adapters the instructions which apply to these should be used. The rules applicable to drinking water systems must be complied with

Technical Data

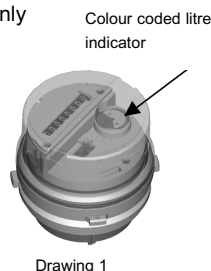
| | |
|--------------------|---|
| Model: | ResidiaMUK |
| Rated flow: | QN 1,5 |
| Permissible media: | Cold water up to 30° C or hot water up to 90° C – see marking and colour of litre indicator: blue = cold, red = hot (See drawing 1) |
| Rated pressure: | PN 16 |
| Suitable for: | SPX/SENSUS-AP/UP housing and accessories and SENSUS adapters for other makes of housing |

N.B. Modular register

The meter has a modular register; which allows the retrospective fitting of an electronic communications module.

This blanking cover must only be removed in order to fit a module in its place!

The fitting, operation and commissioning of the communication module is described in the Fitting Instruction supplied with it.



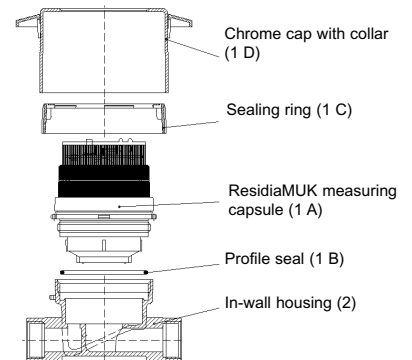
Fitting and commissioning

Special tool required:

ResidiaMUK assembly spanner (Order Ref. No. 78110311)

Note: These instructions are addressed to suitably trained personnel. Basic knowledge and working operations are therefore assumed and not explicitly mentioned

1. Flush out the pipe by briefly opening the nearest water tapping point.
2. Shut off the upstream stop cock nearest to the installation point
3. Depressurise the installation point by opening the nearest water tapping point.
4. Screw out the overflow cap from the in-wall housing (22mm A/F); if necessary remove the plastering cap.
5. Remove the profile seal or O-ring from the in-wall housing and clean the sealing faces of the housing.
6. Remove the protective cap from the connection section of the measuring capsule, fit the new profile seal supplied (1 B) in place of the old seal on the upper sealing face of the housing (2).
7. Screw measuring capsule (1 A) into the housing (2) tighten on the housing down to the stop. (Use the ResidiaMUK assembly spanner for this!) Never use hemp or sealing compound!
8. Open the stopcock and check the installation point for leaks.
9. Push the sealing ring (1 C) from the top until it engages over the measuring capsule.
10. Set the display to the best reading position by turning the meter (top section of capsule).
11. Push the chrome cap (1 D) over the sealing ring (1 C) and the collar (1 D) till flush with the wall, to suit the installed depth of the housing.



Where the in-wall housing is fitted too deep, the installation point can be lengthened by 40 mm by using an **extension piece** (Order Ref. No. 88110956).

If housings are installed in the wrong direction of flow, this can be corrected with a Flow direction changer (Order Ref. No. 68110957).

Operation / reading

1. The rotary counter shows a total of 8 number rollers (5 black before the decimal point, 3 red after it)
The black rollers show full m³, the red rollers the 1st to 3rd places of decimals
2. Sample read-out: Display "00235.174" means 235.174 m³ = 235 m³ and 174 litres
3. The additional pointer is only relevant for test purposes when calibrating. It makes 1 revolution per litre

www.sensus.com
info.int@sensus.com

MA 2200 Material-Nr. 28114942

 **SENSUS**
METERING SYSTEMS